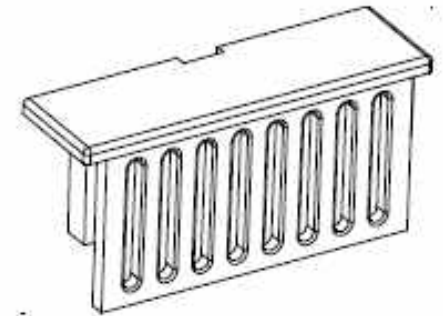


**Section A-A**



**2-MODULE-ENCLOSURE  
FOR M36 DIN-RAIL      SERIE 35**

**Type            35  
Cover for enclosure  
low, closed, ventilated**

**Part No.: GH02HS02/035/120**

**All dimensions in mm**