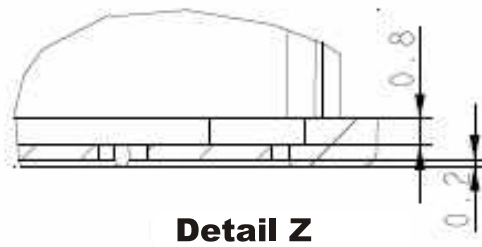
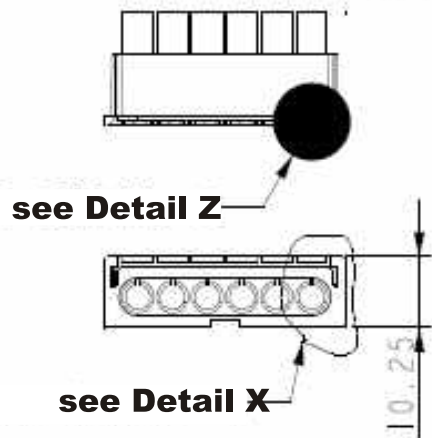
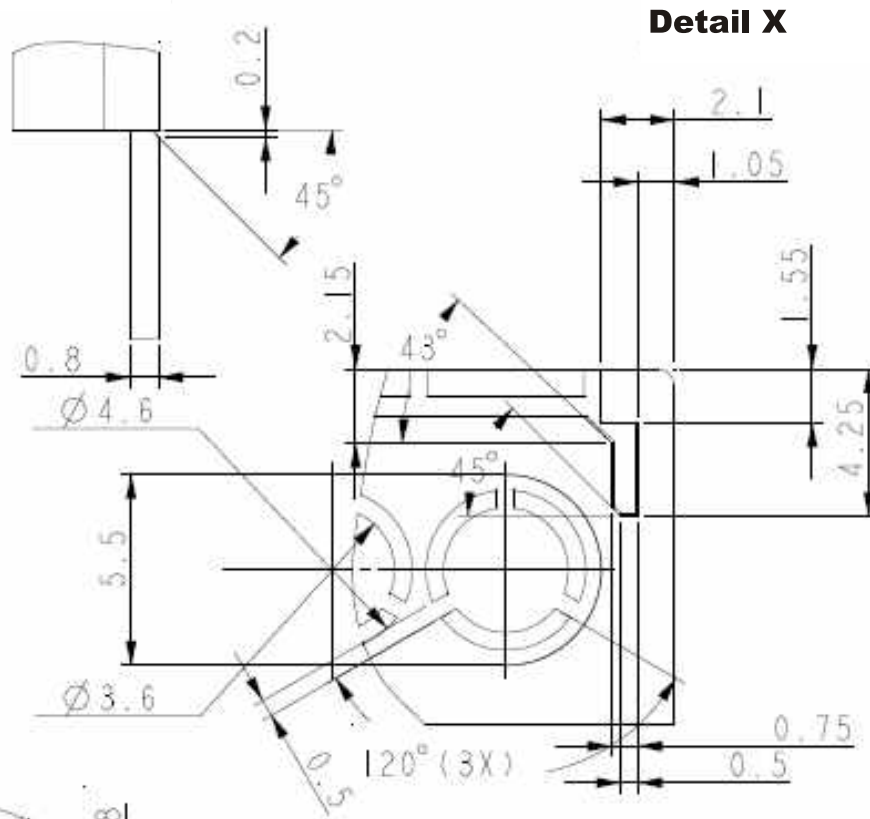


Detail Y



**2-MODULE-ENCLOSURE  
FOR M36 DIN-RAIL      SERIE 35**

**Type            35**  
**Cover for enclosure**  
**low, knock-out**

**Part No.: GH02HS02/035/130**

**All dimensions in mm**